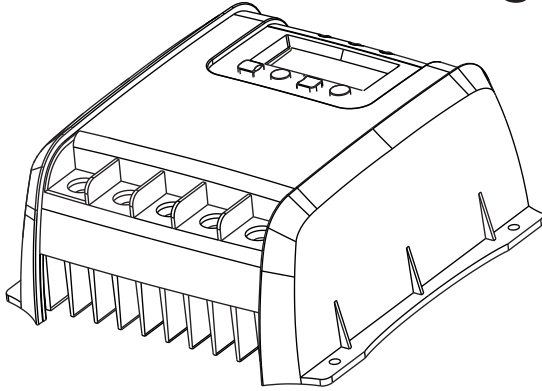


SOLAR CHARGE CONTROLLER SNC50/60 Series



User Manual

Thank you very much for buying our product ,Please read thoroughly before using the prouct

Description of Functions

1. The charge controller automatically recognize 12V or 24V system.
2. Suitable for lead-acid battery, lithium ion battery , LiFePO4
3. LCD display various parameters of charge and discharge.
4. Boost charge voltage and battery low voltage protection point can be adjustable
5. The three-stage PWM charging mode
6. Load output can be manually controlled.
7. With high-precision temperature compensation function.
8. With electronic protection

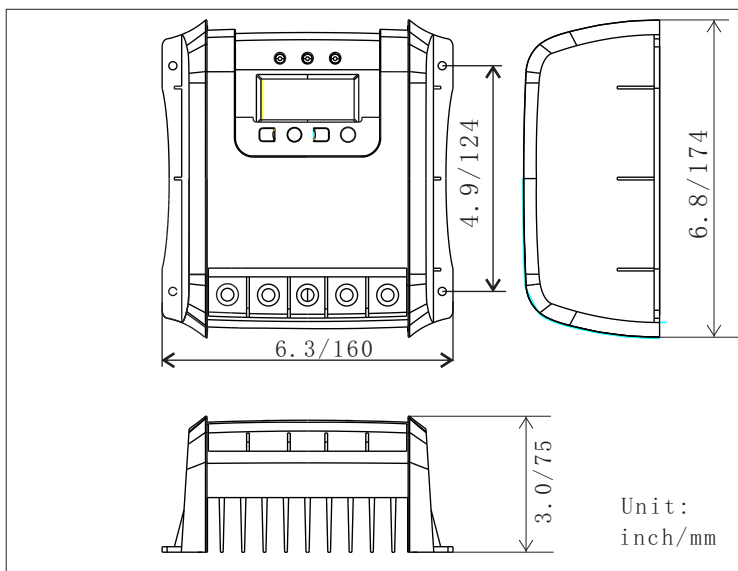
Attentions

The charge regulator is intended for use in photovoltaic systems with 12V or 24V nominal voltages, It shall be used with vented or sealed (VRLA) lead acid batteries only.

Safety Recommendations:

1. Batteries store a large amount of energy. Never short circuit a battery whatever.
2. Batteries can produce flammable gases. Avoid making sparks, using fire or any naked flame. Make sure that the battery room is ventilated.
3. Avoid touching or short circuiting wires and terminals. Be aware that the voltages on specific terminals and wires can be up to double of battery voltage. Use isolated tools. Stand on dry ground and keep your hands dry.

Installation



Please installed in the room, avoiding direct-clearance, do not install in the wet environment, when use it outdoor, please install controller and batteries in the same place, and the batteries installed in the same place, the controller can measuring the battery temperature, charge voltage regulation.

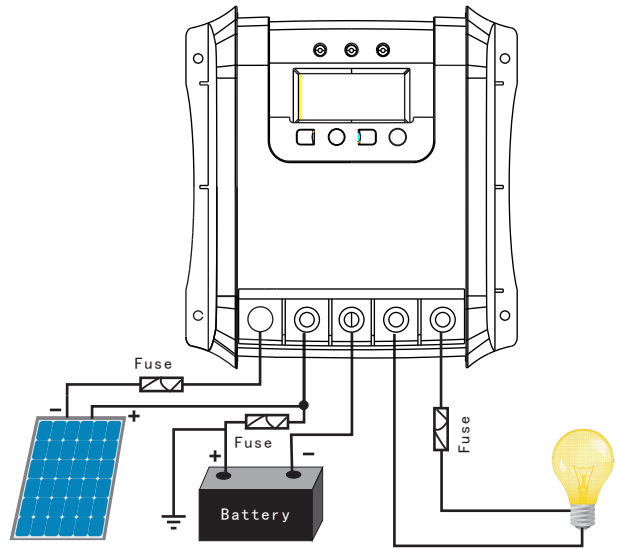
Attention:

1. Screws specifications M3 × 10
2. Make sure heat-location were not I blocke

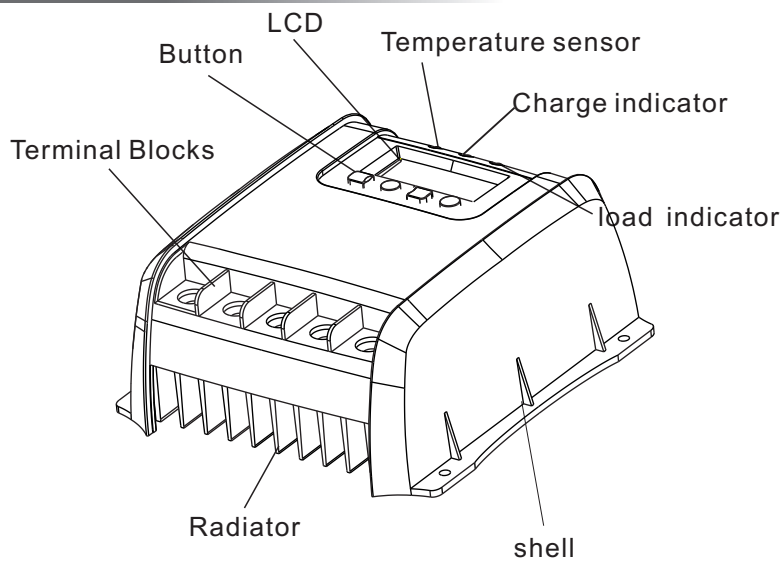
Connecting

1. Connect sequence 1. loads --2. battery --3. solar array
2. Wire size: 50A: Min10mm²
60A: Min12mm²
3. Grounding the solar system: Be aware that the positive terminals of the SNC controller are connected internally and therefore have the same electrical potential. If any grounding is required, always do this on the positive wires.

REMARK: Mind the recommendations of your battery manufacturer, we strongly recommend connecting a fuse directly to the battery to protect any short circuit at the battery wiring. The fuse must take the charge controller nominal current:
SNC50 : 100A
SNC60: 120A



Part Names



charge indicator (green LED)
ON: charging
OFF: no charging

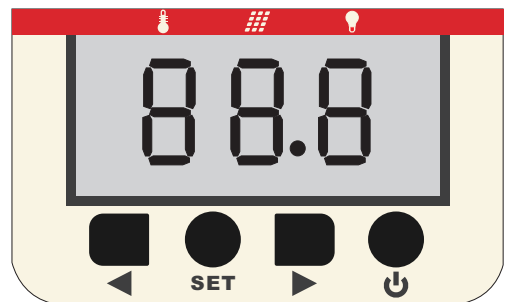
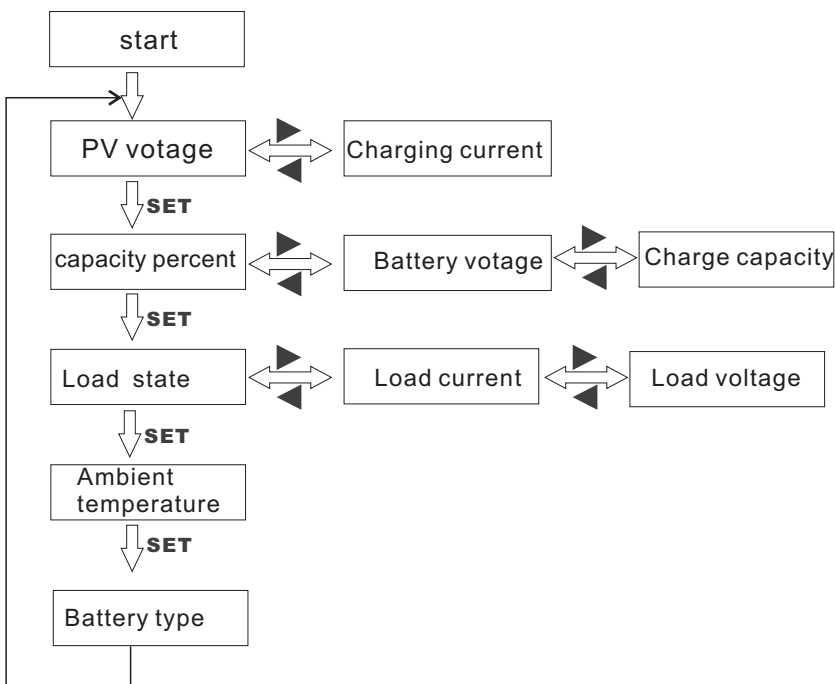
charge indicator (Red LED)
ON: Stop output
OFF: Output normal

Battery type

Code	Battery type
b1	(AGM, GEL, lead-acid)
L3	Lithium ion battery
P4	LiFePO4

Operating

Parameter Browse



Key Description

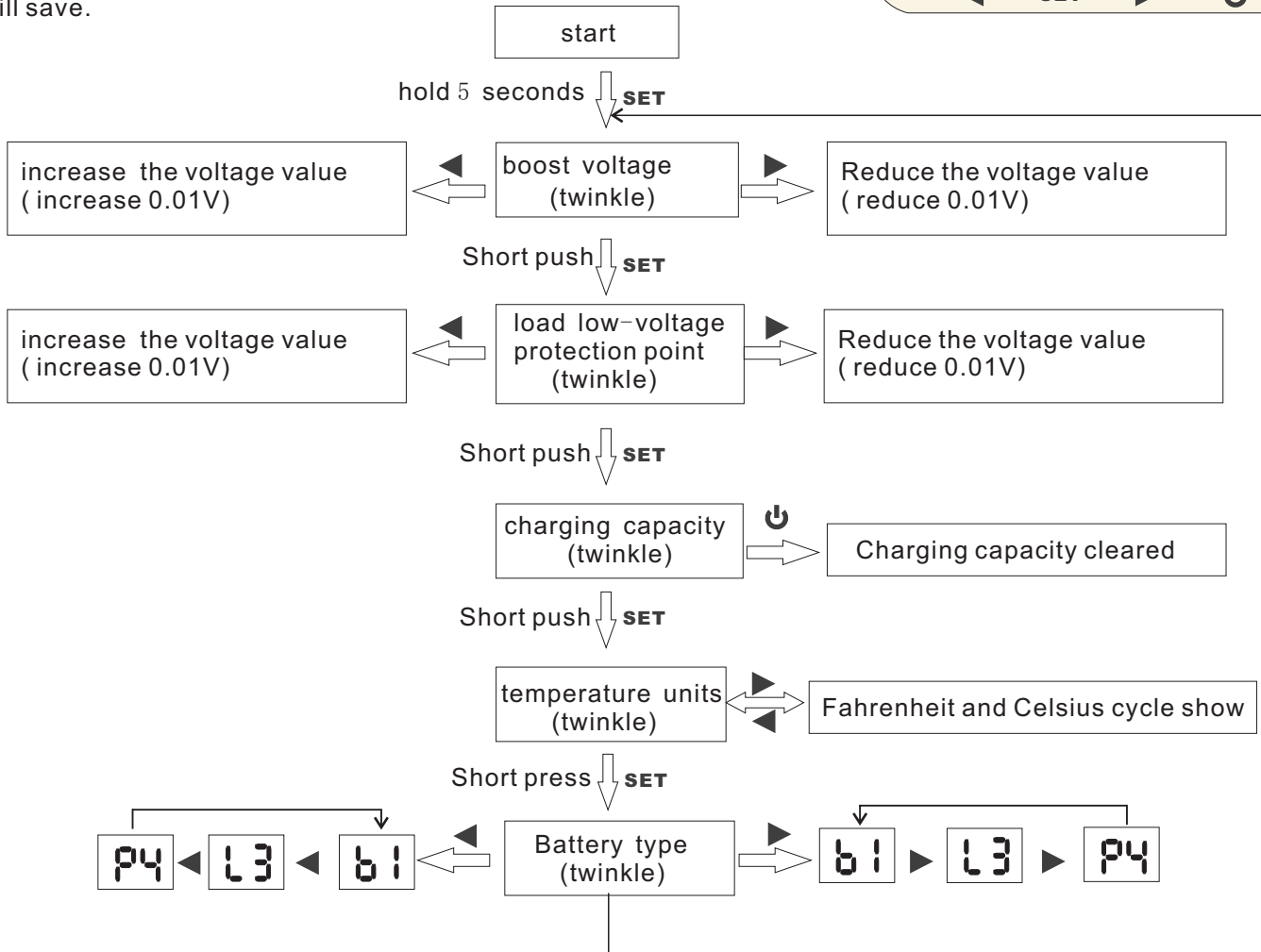
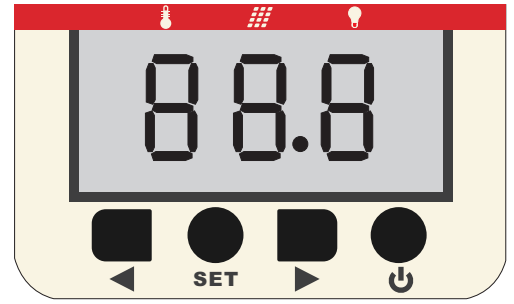
	Previous
	Function key, cycle display main menu
	Back
	Load ON/OFF

setting

The controller user can modify:

1. Boost voltage
2. Load low-voltage protection point
3. Temperature units
4. Charging capacity cleared

When you are make setting operation, the related number will twinkle. After you finish the setting, the twinkle will stop and the related number will save.



Technical Date

MODEL	SNC50	SNC60	
Max.solar panel current	50A	60A	
Max. load current	50A	60A	
Use voltage	12V/24V,automatic recognition		
Battery type	Lead-acid	lithium ion battery	LiFePO4
Overvoltage protection	15.5V	13.5V	15.5V
Boost voltage(Modifiable)	14.6V(Default)	12.6V	14.4V
Over voltage off charge	15.3V	13.5V	15.3V
Float voltage	13.8V	12.6V	14.4V
LVD(Modifiable)	10.5V(Default)	9V	10.5V
Load reconnect voltage	12.5V	11V	12.5V
Charge control mode	PWM		
Work temperature range:	-35°C--+55°C		
Temperature compensation	-5mv/°C/2V		

above parameters are in 12V system ,please double the values in 24V system